



ANODYNE





OUR MANIFESTO

It seems everywhere we go, no matter the occasion, we're yearning for a sense of relief. A comfort in where we stand. And for many of us, it's not just where we stand. It's how we stand and what's keeping us going. It's easy to forget (and neglect) what allows us to stay active and on to our next venture. After all, the root of what keeps us stable, upright, and moving, is our feet.

An anodyne, by definition, is something that brings you a sense of soothing and comfort. The comfort we desire (and in some cases need) is unique to each of us. We believe that you deserve shoes that will meet your comfort and style needs, and allow you to maintain an active, healthy and productive lifestyle.

STYLING

With Anodyne, you genuinely want to wear your shoes. The materials we've used and designers we've engaged have succeeded in bringing you a product that will effectively address both your aesthetic and comfort needs.

COMFORT

- Light Weight Outsole - all day comfort, increased durability.
- Padded Collar - an alternative to leather, our collars prevent possible irritation where the material meets your ankle.
- Padded Tongue - prevents foot slippage and ensures proper fit.
- Lining - we've designed all styles with the absolute minimum number of seams. By avoiding excess seams, you lower risk of possible irritation and complication.

WIDTH CONVERSIONS

Below are our recommended width conversions for our shoes.

Men's

- Medium: C, D
- Wide: E, EE
- Extra Wide: EEE, EEEE+

Women's

- Medium: B, C
- Wide: D, E
- Extra Wide: EE, EEE+

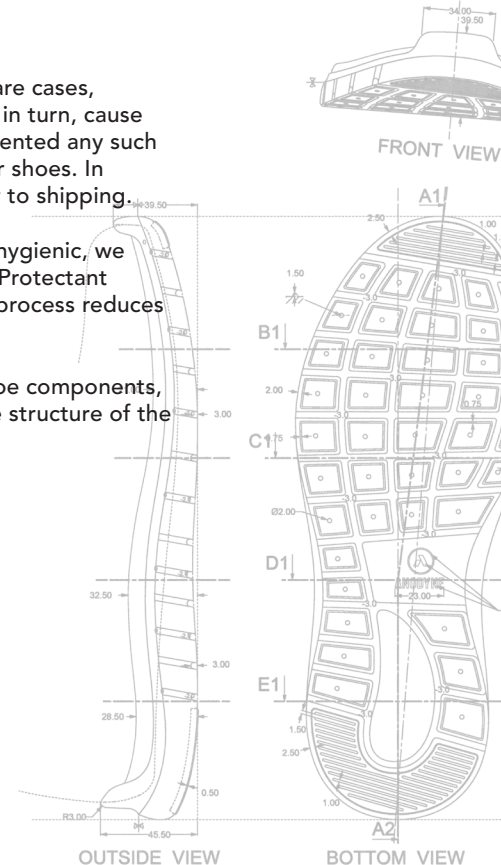
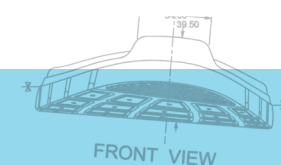
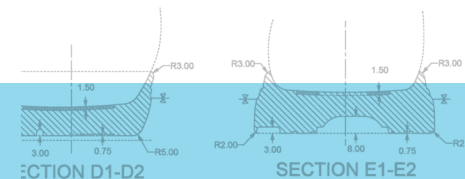
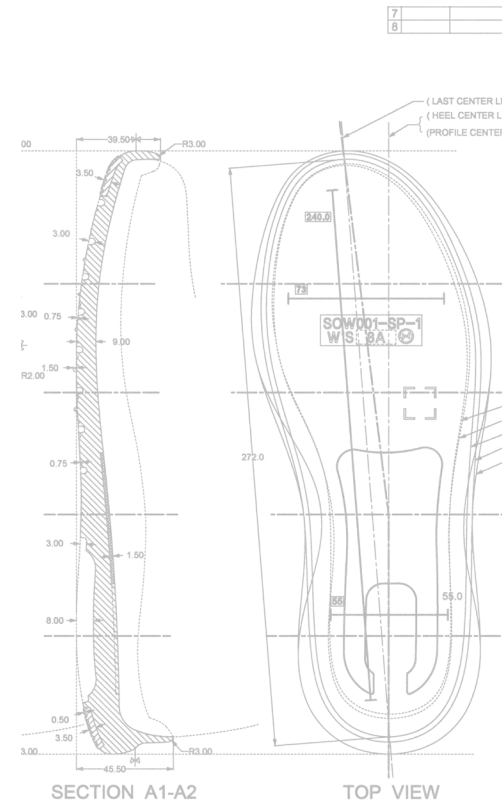
PROTECTION

No Metal – metal can often irritate and damage the skin, and in rare cases, sewing needles and staples may accidentally be left in shoes and, in turn, cause serious damage. Recognizing this potential hazard, we've circumvented any such exposure by eliminating absolutely all metal components from our shoes. In addition, every pair of shoes is run through a metal detector prior to shipping.

Antimicrobial Treatment – in order to ensure our shoes are 100% hygienic, we spray the inside of every pair with our proprietary, Anti-microbial Protectant before shipping. This 100% natural, anti-fungal and anti-microbial process reduces 99.9% of germs, virus and bacteria exposure.

Additional, Precautionary Components – each of the following shoe components, carefully incorporated into each design, help maintain the durable structure of the shoe while protecting the feet and preventing potential injury.

- Extra Depth – accommodates for swelling, and placement of orthotic/insert (5/16 in extra depth)
- Protective Toe Box – protects toes
- Strong Shank – adds extra support to arch area of shoe
- Heel Counter – provides maximum foot support by cradling the heel to reduce over-pronation and prevent heel slippage



WOMEN'S CASUAL

Casual Comfort
Working / Walking
Active Lifestyle

Sizes: 5.5-10, 11, 12
Widths: Medium, Wide,
Extra Wide

PDAC A5500
REVIEWED



No. 19 | **Casual Mary Jane**
Cognac



No. 19 | **Casual Mary Jane**
Black



No. 33 | **Casual Mary Jane Stretch**
Black Stretch



No. 51 | **Casual Dress**
Black



No. 51 | **Casual Dress**
Cognac



No. 63 | **Casual Comfort Stretch**
Black Stretch



No. 67 | **Casual Comfort**
Black



No. 75 | **Casual Sport**
Saddle



No. 75 | **Casual Sport**
Black



No. 81 | **Casual Double Depth**
Black Stretch



No. 91 | **Casual Boot**
Black



No. 91 | **Casual Boot**
Grey

CASUAL COMFORT



WOMEN'S SPORT

Running / Training
Recreational Walking
Active Lifestyle

Sizes: 5.5-10, 11, 12
Widths: Medium, Wide,
Extra Wide

PDAC A5500
REVIEWED



No. 11 | **Sport Trainer**
Black/Grey



No. 11 | **Sport Trainer**
Purple/Pink



No. 11 | **Sport Trainer**
Grey



No. 23 | **Sport Runner**
Teal/Lime



No. 23 | **Sport Runner**
White/Blue



No. 23 | **Sport Runner**
Black/Grey



No. 31 | **Sport Walker**
White



No. 31 | **Sport Walker**
Black



No. 45 | **Sport Jogger**
Purple/Pink



No. 45 | **Sport Jogger**
Black/Grey



No. 45 | **Sport Jogger**
Grey/Orange



No. 77 | **Sport Double Depth**
Black/Grey

WOMEN'S TRAIL

Hiking / Trail
Recreational Walking
Active Lifestyle
Sizes: 5.5-10, 11, 12
Widths: Medium, Wide,
Extra Wide

PDAC A5500
REVIEWED



No. 55 | Trail Boot
Whiskey



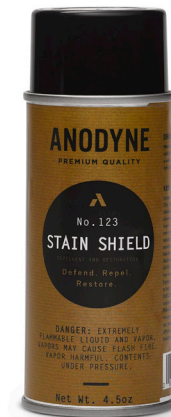
No. 55 | Trail Boot
Oil Black



No. 121 | Leather Conditioner
Softens & protects leather
Replenishes color & natural oils
Cleans & conditions



No. 122 | Antimicrobial Protectant
Proven antimicrobial performance
Powerful anti-odor



No. 123 | Stain Shield
Protects & repels spills
Defends against stains

“
”

The lightest diabetic shoes ever.



WOMEN'S SLIPPERS

Cozy Comfort
 Sizes: 6, 7, 8, 9, 10, 11

Features:

- Premium suede upper
- Soft faux-shearling lining
- Supportive foam footbed
- Durable outsole, can be worn indoors or outdoors
- Protective toe box and heel counter
- Super light weight
- Removable footbed

No matter the occasion, type of weather, or time of year, wearing comfortable, proper fitting footwear isn't an option – it's a necessity.

Even when indoors, it's incredibly important to have the appropriate slippers on. Being bare-foot is not an option. Something as simple as stubbing your toe or stepping on a random something can potentially lead to a serious foot complication.

Our slippers were meticulously designed with the diabetic end-user in mind. For all your indoor adventures, or lack thereof, Anodyne slippers are there with you every step of the way.

As a diabetic, keeping your feet protected, safe, and accommodated is critical. Whether you're on concrete or carpet, walk at ease, knowing with Anodyne, your feet are safe, sound....and, most importantly, extremely comfortable.



No. 21 | Smooth Toe
 Sand



No. 21 | Smooth Toe
 Camel



No. 39 | Moc Toe
 Sand



No. 39 | Moc Toe
 Camel

MEN'S CASUAL

Casual Comfort
Working / Walking
Active Lifestyle
Sizes: 7.5-12, 13, 14
Widths: Medium, Wide,
Extra Wide

PDAC A5500
REVIEWED



No. 12 | **Casual Oxford**
Black



No. 12 | **Casual Oxford**
Burnished Brown



No. 28 | **Casual Oxford**
Black



No. 28 | **Casual Oxford**
Burnished Brown



No. 30 | **Casual Dress**
Black



No. 30 | **Casual Dress**
Whiskey



No. 52 | **Casual Dress**
Black



No. 52 | **Casual Dress**
Whiskey



No. 64 | **Casual Comfort**
Black



No. 64 | **Casual Comfort**
Whiskey



No. 66 | **Casual Comfort Stretch**
Black Stretch



No. 72 | **Casual Sport**
Oil Brown



No. 72 | **Casual Sport**
Oil Black



No. 88 | **Casual Double Depth**
Black Stretch

CASUAL COMFORT



MEN'S SPORT

Running / Training
Recreational Walking
Active Lifestyle

Sizes: 7.5-12, 13, 14
Widths: Medium, Wide,
Extra Wide

PDAC A5500
REVIEWED



No. 22 | **Sport Runner**
Grey/Black



No. 22 | **Sport Runner**
Black/Red



No. 38 | **Sport Walker**
White



No. 38 | **Sport Walker**
Black



No. 46 | **Sport Jogger**
Black/Grey



No. 46 | **Sport Jogger**
Blue/Green



No. 50 | **Sport Trainer**
Black



No. 50 | **Sport Trainer**
Grey



No. 50 | **Sport Trainer**
White



No. 74 | **Sport Double Depth**
Black/Grey



MEN'S TRAIL

Hiking / Trail
Recreational Walking
Active Lifestyle

Sizes: 7.5-12, 13, 14
Widths: Medium, Wide,
Extra Wide

PDAC A5500
REVIEWED



No. **44** | **Trail Walker**
Dark Grey



No. **44** | **Trail Walker**
Stone



No. **56** | **Trail Boot**
Whiskey



No. **56** | **Trail Boot**
Oil Black



No. **90** | **Trail Worker**
Oil Black



No. **90** | **Trail Worker**
Whiskey



MEN'S SLIPPERS

Cozy Comfort
 Sizes: 8, 9, 10, 11, 12, 13

Features:

- Premium suede upper
- Soft faux-shearling lining
- Supportive foam footbed
- Durable outsole, can be worn indoors or outdoors
- Protective toe box and heel counter
- Super light weight
- Removable footbed

No matter the occasion, type of weather, or time of year, wearing comfortable, proper fitting footwear isn't an option – it's a necessity.

Even when indoors, it's incredibly important to have the appropriate slippers on. Being bare-foot is not an option. Something as simple as stubbing your toe or stepping on a random something can potentially lead to a serious foot complication.

Our slippers were meticulously designed with the diabetic end-user in mind. For all your indoor adventures, or lack thereof, Anodyne slippers are there with you every step of the way.

As a diabetic, keeping your feet protected, safe, and accommodated is critical. Whether you're on concrete or carpet, walk at ease, knowing with Anodyne, your feet are safe, sound....and, most importantly, extremely comfortable.



No. **34** | **Moc Toe**
 Espresso



No. **34** | **Moc Toe**
 Camel



No. **18** | **Smooth Toe**
 Espresso



No. **18** | **Smooth Toe**
 Camel



SOCKS

By insulating and supporting your every move, socks are the protective barrier your feet need. They're one of the most important yet undervalued products for your feet, and although they're a wardrobe staple, the mundane options available hardly scratch the surface of a sock's true potential.

Meticulously designed with diabetics in mind, our socks are the perfect combination of comfort, fit, and functionality.

When you wear our socks, you may not think about the ergonomics of the construction, the anatomical contours of the weave, or the functionality of the materials, but you'll know they are the best socks you've EVER worn.

We didn't invent the sock. We just perfected it.

Features:

- Anatomical left/right fit
- Supportive arch band
- Light gradient compression
- Seamless construction
- Impact absorbing padding
- Silver infused, ultra-soft microfiber nylon and high bulk acrylic blend

Available Sizes:

XS	M: 2-4	W: 3-5
S	M: 5-6.5	W: 5.5-7.5
M	M: 7-9.5	W: 8-10.5
L	M: 10-12.5	W: 11-13
XL	M: 13-16	W: 13.5+



No. **7** | **Crew Length**
Black



No. **8** | **Quarter Length**
Black



No. **9** | **No Show**
Black



No. **7** | **Crew Length**
White



No. **8** | **Quarter Length**
White



No. **9** | **No Show**
White



No. 1 **Tri-Lam Heat Moldable Inserts**
 Low-Sheering Top Cover
 Cushioned Mid-Layer
 Heat Moldable Base
 A5512 Reviewed



No. 2 **Gel-Foam Hybrid Inserts**
 Microfiber Top Cover - Foam Mid-Layer
 Shock Absorbing Base - Ergonomic Gel



No. 3 **Custom Accommodative Inserts**
 PE Topcover
 EVA Base - A5514 Reviewed



No. 4 **Partial Foot Toe Filler**
 PE Topcover - Poron Midlayer
 EVA/Cork Base - L5000 Reviewed



No. 5 **Semi-rigid Orthotics**
 Leather/Spenco Topcover
 Semi-rigid EVA Base
 L3010 Reviewed



No. 6 **Custom Cork Inserts**
 PE Topcover
 Cork Base - A5514 Reviewed



ANODYNE
 LABORATORIES

DESCRIPTION

Custom Inserts and Partial Foot Toe Fillers.

Hand-crafted by our lab staff and based on the exact contours of a patient's feet, our Custom Accommodative Inserts and Partial Foot Toe Fillers allow for maximum foot support, total contact and enhanced stabilization. Moreover, our custom inserts can be used to isolate and individually treat any particular irregularity that a patient's feet may have. We're capable of adding any sort of special accommodation to a patient's inserts, including the off-loading of certain areas, adding metatarsal pads, arch flanges, Morton's extensions, heel raises, etc.



3D **iPad 3D Camera**
 Anodyne App

SCANNER

Working with a team of industry experts, we've developed an ultraportable, easy-to-use, and affordable 3D scanner. With accuracy within +/- .5 mm, there is no longer a need for impression foam boxes or plaster casts. Orders can be sent and received within minutes, eliminating shipping charges and reducing lead times. Our scanning software is offered to all Anodyne suppliers free of charge (no fees or click charges).



No. **101** | **Full Fitting Center Display**
48 individual shoes with inserts
Foot measuring device



No. **102** | **Countertop Display**
12 individual shoes with inserts



No. **103** | **Travel Bag**
24 individual shoes with inserts
Foot measuring device





ANODYNE

PREMIUM QUALITY

5050 S 2nd St
Milwaukee, WI 53207

www.anodyneshoes.com

phone: 1-844-637-4637

email: info@anodyneshoes.com

Follow us online

